

Spare parts for SMC 186 - 188 & TSMC 188

Relevant drawings SMC: 0661-606 - 0661-608

Relevant drawings TSMC: 0661-607 - 0661-608

Pos.	Designation	Weight each in kg	Number each compressor			Part no.
			SMC 186	SMC 188	TSMC 188	
	Compressor frame					
1A-1	Frame SMC 186		1			3111-072
1A-2	Frame SMC 188			1		3111-073
1A-3	Frame TSMC 188				1	3111-074
1B-1	Oil sight glass	0,230	1	1	1	1226-015
1C-1	O-ring 52,07 x 2,62	0,002	1	1	1	1331-140
1D-1	Hexagon screw M6 x 18 - 8,8 DIN 933	0,010	4	4	4	1424-148
	Top cover - air cooled					
2A-1	Top cover		2	3	2	3113-150
2A-2	Top cover with flange for valve		1	1	2	3113-149
2C-1	Gasket for top cover	0,125	3	4	4	2353-222
2E-1	Hexagon head screw M20 x 130 - 8,8 DIN 931	0,360	46	62	60	1424-122
2F-1	Hexagon head screw M20 x 190 - 8,8 DIN 931	0,510	2	2	4	1424-128
2G-1	Washer 37/21 x 3	0,020	48	64	64	1436-077
	Top cover - water cooled					
2A-1	Top cover		2	3	2	3113-150
2A-2	Top cover with flange for valve		1	1	2	3113-149
2B-1	Water cover		3	4	4	3113-151
2C-1	Gasket for top cover	0,125	3	4	4	2353-222
2D-1	Gasket for water cover	0,210	3	4	4	2353-157
2E-1	Hexagon head screw M20 x 130	0,360	4	6	4	1424-122
2E-2	Hexagon head screw M20 x 160 - 8,8 DIN 931	0,400	42	56	56	1424-125
2F-1	Hexagon head screw M20 x 190 - 8,8 DIN 931	0,510	2	2	4	1424-128
2G-1	Washer 37/21 x 3	0,020	48	64	64	1436-077
2H-1	Hexagon head screw M12 x 50 - 8,8 DIN 933	0,050	21	28	28	1424-219
2J-1	Washer dia. 24/13 x 2,5	0,008	21	28	28	1434-036
	Side cover - water cooled					
3A-2	Side cover with cooling fins		2	2	2	3113-153
3B-1	Water cover		2	2	2	3113-151
3C-1	Gasket for side cover	0,125	2	2	2	2353-156
3D-1	Gasket for water cover	0,210	2	2	2	2353-157
3E-2	Hexagon head screw M20 x 80 - 8,8 DIN 933	0,240	28	28	28	1424-293

Pos.	Designation	Weight each in kg	Number each compressor			Part no.
			SMC 186	SMC 188	TSMC 188	
3E-1	Hexagon head screw M20 x 50 - 8,8 DIN 933		4	4	4	1424-287
3G-1	Washer dia. 37/21 x 3	0,020	32	32	32	1436-077
3H-1	Hexagon head screw M12 x 50 - 8,8 DIN 933	0,050	6	6	6	1424-219
3J-1	Washer dia. 24/13 x 2,5	0,080	6	6	6	1436-036
	End cover at pump end					
4A-1	End cover at pump end		1	1	1	3113-155
4B-1	Gasket for end cover	0,135	1	1	1	2353-158
4C-1	Hexagon head cover M20 x 140 - 8,8 DIN 931	0,360	14	14	14	1424-123
4D-1	Washer dia. 37/21 x 3	0,020	14	14	14	1436-077
	Bearing cover at pump					
5A-1	Bearing cover at pump		1	1	1	3113-033
5B-1	Hexagon head screw M20 x 40 - 8,8 DIN 933	0,120	6	6	6	1424-285
5C-1	Bushing with collar	4,280	1	1	1	2132-023
5C-2	Bushing for repair (1,0 mm undersize)	4,280	1	1	1	2132-024
5D-1	Gasket for bearing cover 0,25 mm	0,015				2353-016
5D-2	Gasket for bearing cover 0,50 mm	0,018				2353-017
5D-3	Gasket for bearing cover 0,75 mm	0,021				2353-018
5E-1	Spring dowel sleeve dia. 8 x 16 - DIN 1481	0,030	1	1	1	1446-009
	Bearing cover at shaft seal end					
6A-1	Bearing cover		1	1	1	3113-152
6B-1	Hexagon head screw M20 x 100 - 8,8 DIN	0,340	14	14	14	1424-119
6C-1	Bushing with collar	4,280	1	1	1	2132-023
6C-2	Bushing for repair (1,0 mm undersize)	4,280	2	2	2	2132-024
6D-1	Gasket	0,065	1	1	1	2353-161
6E-1	Washer dia. 37/21 x 3	0,020	14	14	14	1436-077
6F-1	Spring dowel sleeve dia. 8 x 16 - DIN 1481	0,030	1	1	1	1446-009
6G	Valve for prelubrication		1	1	1	2412-585
6H	Nut		1	1	1	2313-045
6J	Special joint		1	1	1	2334-027
6K	Cap		1	1	1	2313-027
6L	Joint 3/8"		1	1	1	1349-053
6M	Alu gasket		1	1	1	2356-123
	Shaft seal cover					
8A-1	Shaft seal cover		1	1	1	3113-154
8B-1	Gasket	0,036	1	1	1	2353-006
8C-1	Hexagon head M14 x 40	0,022	8	8	8	1424-241
8D-1	Hose connection 1/4"	0,003	1	1	1	1345-143

Pos.	Designation	Weight each in kg	Number each compressor			Part no.
			SMC 186	SMC 188	TSMC 188	
8E-1	Plastic hose 3/16" x 400 mm	0,001	1	1	1	1241-190
8F	Cylindrical pin dia. 3 x 12	0,001	1	1	1	1445-054
	Shaft seal					
10	Shaft seal complete	6,370	1	1	1	3126-138
10A-1	Slide ring (special carbon)	0,452	1	1	1	3126-135
10B-1	Sealing ring Variseal M dia. 146,1	0,010	1	1	1	1331-522
10C-1	O-ring dia, 151,99 x 3,53	0,006	1	1	1	1331-099
10D-1	Slide ring (cast iron)	3,385	1	1	1	3126-136
10E-1	O-ring dia. 129,5 x 7	0,030	1	1	1	2353-177
10G-1	Spring	0,009	12	12	12	2142-004
10H-1	Cone ring	1,925	1	1	1	3126-137
10J-1	Special screw	0,024	3	3	3	1413-001
10K-1	Spiroloxring RS 500 dia. 127	0,034	1	1	1	1437-298
10L-1	Nut M8	0,004	3	3	3	1432-063
10M-1	Lock washer dia. 15/8,4 x 0,8	0,002	3	3	3	1437-054
	Oil pump					
11-1	Oil pump, complete	10,800	1	1	1	3141-130
11A-1	Housing	5,400	1	1	1	3141-008
11B-1	Cover	2,920	1	1	1	3141-012
11C-1	Gasket for cover 0,2 mm	0,001	1	1	1	2353-022
11D-1	Hexagon head screw M10 x 40 - 8,8 DIN 933	0,030	4	4	4	1424-194
11E-1	Spring washer dia. 17/10 x 2,2 - DIN 127	0,002	8	8	8	1437-080
11F-1	Cylindrical pin dia. 6 x 36	0,040	2	2	2	1445-061
11G-1	Pump gear wheel	1,080	1	1	1	3141-044
11H-1	Pump gear wheel	1,260	1	1	1	3141-045
11J-1	Key 6 x 6 x 15	0,005	1	1	1	1526-051
11K-1	Threaded nipple 12 x 1 1/8"	0,418	2	2	2	2311-043
11L-1	Gasket for nipple dia. 50/40 x 1,5	0,002	2	2	2	2356-056
11AB-1	Hexagon head screw M10 x 40 - 8,8 DIN 933	0,030	4	4	4	1424-194
	Chain drive					
11M-1	Chain wheel 1/2" x 25 (pump)	0,750	1	1	1	2126-022
11N-1	Washer dia. 30/17 x 3	0,005	1	1	1	1436-017
11P-1	Locking nut M16	0,040	1	1	1	1433-083
11Q-1	Chain wheel 1/2" x 28 (crankshaft)	0,470	1	1	1	2126-023
11R-1	Hub for chainwheel	0,730	1	1	1	2126-024
11S-1	Hexagon head screw M14 x 40 - 8,8 DIN 933	0,945	2	2	2	1424-241
11T-1	Spring washer dia. 23/14 x 3	0,004	2	2	2	1437-030

Pos.	Designation	Weight each in kg	Number each compressor			Part no.
			SMC 186	SMC 188	TSMC 188	
11U-1	Chain 1/2" 58 endless	0,510	1	1	1	1521-105
11V-1	Guide shield for oil	0,380	1	1	1	3141-136
11X-1	Hexagon head screw M6 x 12	0,003	2	2	2	1413-339
11Y-1	Spring washer dia. 11,1/6,1 x 1,6	0,005	2	2	2	1437-022
	Unloading cylinder SMC - TSMC (LP) See drawing no 0661-602					
12-1	Unloading cylinder complete L = 122, S = 49	8,400	1	1		3135-019
12-2	Unloading cylinder complete L = 167, S = 94	8,500	1	1	1	3135-020
12-3	Unloading cylinder complete L = 212, S = 139	8,600	1	1	1	3135-021
12-4	Unloading cylinder complete L = 257, S = 184	8,700		1	1	3135-022
12A-1	Unloading cylinder SMC -TSMC (LP)	6,700	3	4	3	3135-030
12B-1	Piston	0,800	3	4	3	3135-035
12C-1	Piston rod L= 122	0,200	1	1		3135-046
12C-2	Piston rod L= 167	0,250	1	1	1	3135-047
12C-3	Piston rod L= 212	0,300	1	1	1	3135-048
12C-4	Piston rod L= 257	0,350		1	1	3135-049
12D-1	Threaded plug - 3/8" BSP	0,065	3	4	3	2314-025
12E-1	Gasket dia. 25/17 x 1,5	0,002	3	4	3	2356-130
12F-1	Seeger ring dia. 85	0,030	3	4	3	1437-165
12G-1	Spring guide	0,100	3	4	3	2145-005
12H-1	Spring retainer	0,200	3	4	3	3135-058
12J-1	Spring dia. 4/40 x 88	0,100	3	4	3	2142-041
12J-2	Spring dia. 5/55 x 88	0,170	3	4	3	2142-042
12K-1	Benzing ring dia. 12	0,001	3	4	3	1437-108
12K-2	Benzing ring dia. 9	0,001	3	4	3	1437-105
12T-1	O-ring neoprene dia. 142,7 x 3,5	0,010	3	4	3	1331-096
12U-1	Hexagon head screw M14 x 50	0,075	12	16	12	1424-243
12V-1	Washer dia. 28/15 x 2,5	0,010	12	16	12	1436-037
	Unloading cylinder TSMC (HP) See drawing no 0661-602					
12-5	Unloading cylinder complete TSMC (HP)	9,200			1	3135-165
12A-2	Unloading cylinder	8,800			1	3135-032
12B-1	Piston	0,800			1	3135-035
12C-5	Piston rod for TSMC (HP)	0,200			1	3135-166
12D-1	Threaded plug 3/8" BSP	0,065			1	2314-025
12E-1	Gasket dia. 25/17 x 1,5	0,002			1	2356-130
12G-5	Spring guide	0,110			1	3135-095

Pos.	Designation	Weight each in kg	Number each compressor			Part no.
			SMC 186	SMC 188	TSMC 188	
12H-5	Cover	0,690			1	3135-106
12J-1	Spring dia. 4/40 x 88	0,100			1	2142-041
12J-2	Spring dia. 5/55 x 88	0,170			1	2142-042
12K-5	Benzing ring dia. 9	0,001			2	1437-105
12N-1	Gasket for cover dia. 110/80 x 1	0,025			1	2353-026
12P-1	Hexagon head screw M6 x 20	0,009			6	1424-152
12Q-1	O-ring neoprene PRP 112	0,001			1	1331-013
12R-1	Self locking nut 3/8" INF	0,010			1	1433-100
12S-1	Washer dia. 21/10,5 x 2	0,005			1	1436-035
12T-1	O-ring neoprene dia. 142,7 x 3,5	0,010			1	1331-096
12U-1	Hexagon head screw M14 x 50	0,075			4	1424-243
12V-1	Washer dia. 28/15 x 2,5	0,010			4	1436-037
	Frame for unloading mechanism					
13A-1	Suspension rod (right)	1,340	3	4	4	3135-067
13B-1	Suspension rod (left)	1,340	3	4	4	3135-068
13C-1	Cross piece at piston rod	1,240	3	4	4	3135-077
13D-1	Cross piece	1,220	3	4	4	3135-083
13E-1	Counter sunk screw M6 x 25	0,006	12	16	16	1413-100
	Bracket for unloading mechanism					
14A-1	Bracket with pin	0,250	6	8	7	3135-061
14B-1	Spacing ring for bracket	0,015	12	16	14	2124-005
14C-1	Hexagon head screw M8 x 45	0,010	12	16	14	1424-172
14D-1	Spring washer	0,002	12	16	14	1437-023
	Rocker for unloading mechanism					
15A-1	Rocker arm	0,100	12	16	16	3135-097
15B-1	Bearing cup (without thread)	0,020	12	16	12	3135-100
15B-2	Bearing cup (with thread) TSMC HP	0,035			4	3135-102
15C-1	Spring holders	0,002	12	16	16	2145-002
15D-1	Spring	0,052	12	16	16	2142-046
15E-1	Washer for regulation of bearing cup	0,004				3142-016
	Crankshaft					
*16-1	Crankshaft SMC 186	213,000	1			3121-118
*16-2	Crankshaft SMC 188-TSMC 188	223,000		1	1	3121-119
16A-1	Lock washer	1,890	1	1	1	3121-117
16B-1	Hexagon head screw M14 x 45 - 8,8 DIN 933	0,010	2	2	2	1424-242
16C-1	Spring washer dia. 23,3/14,2 x 3	0,004	2	2	2	1437-030
16D-1	Key 32 x 18 x 100	0,360	1	1	1	2123-007

Pos.	Designation	Weight each in kg	Number each compressor			Part no.
			SMC 186	SMC 188	TSMC 188	
	Connecting rod					
*17-1	Connecting rod, complete, SMC-TSMC LP	12,300	6	8	6	3123-005
*17-2	Connecting rod, complete, TSMC HP	12,300			2	3123-103
*17-3	Connecting rod with piston complete, TSMC HP	19,200			2	3123-104
17A-1	Half-section of bearing	0,180	12	16	16	2133-005
17A-2	Half-section of bearing for repair	0,180	12	16	16	2133-006
17B-1	Bushing for piston pin, SMC-TSMC LP	1,140	6	8	6	2132-006
17B-2	Needle roller bearing TSMC HP	0,370			4	1511-006
17C-1	Connection rod bolt	0,200	12	16	16	2111-066
17D-1	Self lock nut 5/8" UNF	0,030	12	16	16	1433-118
	Piston See drawing no 0661-602					
18-1	Piston with pin and rings	6,075	6	8	8	3124-053
18A-1	Piston pin	1,965	6	8	8	3125-119
18C-1	Piston ring TOP mark	0,105	12	16	16	3125-128
18D-1	Oil scraper ring	0,115	6	8	8	3125-077
18E-1	Seeger ring dia. 70 mm	0,020	12	16	16	1437-159
	Cylinder liner with suction valve See drawing no 0661-602					
19-1	Cylinder liner with suction valve R717	26,480	6	8	6	3112-067
19-2	Cylinder liner with suction valve HCFC	26,480	6	8	6	3112-069
19-3	Cylinder liner with suction valve R717 TSMC HP	26,340			2	3112-068
19-4	Cylinder liner with suction valve HCFC TSMC HP	26,340			2	3112-070
19A-1	Cylinder liner	17,130	6	8	8	3112-066
19B-1	Unloading ring with pins	1,238	6	8	8	3135-063
19C-1	Washer dia. 8 x 5,3 x 0,5	0,001	72	96	96	2114-020
19D-1	Spring for unloading ring	0,002	72	96	96	2142-035
19E-1	Tension spiral	0,040	6	8	8	2142-049
19F-1	Ring plates for suction valve	0,060	6	8	8	3131-064
19G-1	Valve spring	0,006	36	48	48	2141-050
19H-1	Suction valve retaining plate R717	5,380	6	8	8	3132-058
19H-2	Suction valve retaining plate HCFC	5,380	6	8	8	3132-061
19J-1	Guide ring for discharge valve	2,180	6	8	8	3134-007
19K-1	Gasket for cylinder liner - 0,5 mm	0,006	6	8	8	2356-116
19K-2	Gasket for cylinder liner - 0,8 mm	0,010	6	8	8	2356-249
19M-1	O-ring only TSMC HP	0,060			2	1331-105
19N-1	Socket cap screw M8 x 60 DIN 912	0,026	72	96	96	1413-364

Pos.	Designation	Weight each in kg	Number each compressor			Part no.
			SMC 186	SMC 188	TSMC 188	
	Discharge valve See drawing no 0661-602					
20-1	Discharge valve complete R717 HP				2	3136-076
20-2	Discharge valve complete R22 HP				2	3136-075
20-3	Discharge valve complete R717 LP		6	8	6	3136-078
20-4	Discharge valve complete R22 LP		6	8	6	3136-077
20A-1	Discharge valve seat	1,830	6	8	8	3133-019
20B-1	Valve retaining plate R717 HP	4,005			2	3132-063
20B-2	Valve retaining plate R22 HP	4,005			2	3132-062
20B-3	Valve retaining plate R717 LP	4,005	6	8	6	3132-065
20B-4	Valve retaining plate R22 LP	4,005	6	8	6	3132-066
20C-1	Ring plate for discharge valve	0,045	6	8	8	3131-065
20D-1	Special screw	0,415	6	8	8	2111-111
20E-1	Nut M24 x 2 - DIN 934	0,094	12	16	16	1432-052
20F-1	Spring guide	0,040	6	8	8	2145-020
20G-1	Valve spring (valve for 20B-1 and 2)	0,006	72	96	24	2141-050
20G-2	Valve spring (valve for 20B-3 and 4)	0,006	36	48	36	2141-050
20K-1	Guide for ring plate R717	0,175	6	8	8	3132-060
20K-2	Guide for ring plate R22	0,180	6	8	8	3132-064
	Spring for safety head					
21-1	Spring	0,400	6	8	8	2142-057
	Oil pressure valve					
22-1	Oil pressure valve complete	0,450	1	1	1	3142-150
22G-1	Gasket 90 x 44 x 1	0,001	1	1	1	2354-075
22H-1	Hexagon head screw M12 x 35 - 8,8 DIN 933	0,040	2	2	2	1424-216
	Oil changing valve					
23A-1	Oil changing valve complete	0,300	1	1	1	2412-585
23B-1	Threaded reducing nipple	0,155	1	1	1	2311-059
23C-1	Socket	0,075	1	1	1	2313-035
23D-1	Gasket	0,001	1	1	1	2356-123
23E-1	Gasket	0,001	1	1	1	2356-140
23F-1	Gasket	0,001	1	1	1	2356-283
23G-1	Nut	0,060	1	1	1	2313-027

Pos.	Designation	Weight each in kg	Number each compressor			Part no.
			SMC 186	SMC 188	TSMC 188	
	By-pass valves					
24-1	By-pass valve dia. 38 TSMC LP 12 bar	10,240			1	2416-057
24-2	By-pass valve dia. 38 SMC 18 bar	10,215	1	1		2416-058
24-3	By-pass valve dia. 38 SMC 21 bar	10,230	1	1		2416-059
24-4	By-pass valve dia. 38 SMC 24 bar	10,240	1	1		2416-060
24-5	By-pass valve dia. 28 TSMC HP 22 bar	3,600			1	3137-007
24-6	By-pass valve dia. 28 TSMC HP 24 bar	3,600			1	3137-009
24C-1	O-ring for cylinder dia. 72,6 x 3,5	0,040	1	1	1	1331-074
24C-5	O-ring for cylinder dia. 50,4 x 3,5	0,002			1	1331-067
24E-1	O-ring for cover dia. 85,3 x 3,5	0,002	1	1	1	1331-078
24E-5	O-ring for cover dia. 63,1 x 3,5	0,002			1	1331-071
24G-1	Hexagon head screw M10 x 30 - 8,8 DIN 933	0,018	4	4	4	1424-192
24G-5	Hexagon head screw M8 x 25,5 - 8,8 DIN 933	0,015			4	1424-168
24H-1	Spring washer dia. 17,2/10,2 x 2	0,002	4	4	4	1437-033
24H-5	Spring washer dia. 14,2/8,2 x 2	0,002			4	1437-023

Pos.	Designation	Weight each in kg	DIM	Number each compressor			Part no.
				SMC 186	SMC 188	TSMC 188	
	Stop valves						
25-1	Stop valves complete discharge HP	13,700	65			1	2414-072
25-2	Stop valves complete inlet HP		100			1	2411-264
25-3	Stop valves complete discharge LP		100	1	1	1	2414-070
25-4	Stop valves complete inlet LP		150	1	1	1	2414-037
25A-1	Housing	3,080	65			1	2432-142
25A-2	Housing	3,210	100			1	2432-144
25A-3	Housing		100	1	1	1	2432-160
25A-4	Housing		150	1	1	1	2432-109
25B-1	Valve bonnet	3,200	65			1	2433-029
25B-2	Valve bonnet	4,500	100	1	1	2	2433-030
25B-4	Valve bonnet	14,660	150	1	1	1	2433-009
25C-1	Front part for cone	0,028	65			1	2444-092
25C-2	Front part for cone	0,520	100	1	1	2	2444-094
25C-4	Front part for cone	1,550	150	1	1	1	2444-006
25D-1	Back part for cone	4,440	65			1	2444-093
25D-2	Back part for cone	1,000	100	1	1	2	2444-095
25D-4	Back part for cone	5,100	150	1	1	1	2444-087
25E-1	Screw for cone	0,120	65-100	1	1	3	2444-018
25E-4	Screw for cone	0,350	150	1	1	1	2444-019
25F-1	Gasket for screw	0,001	65-100	1	1	3	2356-141
25F-4	Gasket for screw	0,001	150	1	1	1	2356-144
25G-1	Threaded connection	0,340	65			1	2445-054
25G-2	Threaded connection	0,400	100	1	1	2	2445-055
25G-4	Threaded connection	0,800	150	1	1	1	2445-049
25H-1	Sealing ring	0,015	65			1	2354-115
25H-2	Sealing ring	0,020	100	1	1	2	2354-117
25H-4	Sealing ring	0,010	150	1	1	1	2354-007
25J-1	O-ring for bonnet 94,6 x 5,3	0,004	65			1	1331-161
25J-2	O-ring for bonnet 116,8 x 7	0,006	100	1	1	2	1331-198
25J-4	O-ring for bonnet 202,79 x 3,5	0,008	150	1	1	1	1331-107
25K-1	Valve spindle	0,420	65			1	2442-030
25K-2	Valve spindle	0,480	100	1	1	2	2442-028
25K-4	Valve spindle	1,000	150	1	1	1	2442-006
25L-1	Lock washer	0,015	65-100	1	1	3	2445-020
25L-4	Lock washer	0,025	150	1	1	1	2445-021
25M-1	Packing gland complete	0,250	65-100	1	1	3	2452-004

Pos.	Designation	Weight each in kg	DIM	Number each compressor			Part no.
				SMC 186	SMC 188	TSMC 188	
25M-4	Packing gland complete	0,350	150	1	1	1	2452-005
25N-1	Guide pin dia. 5 x 10	0,003	65-100	1	1	1	1446-085
25N-4	Guide screw	0,006	150	1	1	1	2111-036
25P-1	O-ring dia. 28,1 x 3,5	0,002	65-100	1	1	3	1331-024
25P-4	O-ring dia. 31,5 x 3,5	0,003	150	1	1	1	1331-026
25Q-1	Nylon washer dia. 34/22 x 1,5	0,002	100	1	1	3	2354-017
25Q-4	Nylon washer dia. 39,5/28 x 1,5	0,002	150	1	1	1	2354-018
25R-1	Hexagon head screw M10 x 25 8,8 - DIN 9,33	0,020	65			8	1424-191
25R-2	Hexagon head screw M12 x 30 8,8 - DIN 9,33	0,040	100			8	1424-215
25R-4	Hexagon head screw M20 x 65 8,8 - DIN 9,33	0,210	150	6	6	6	1424-290
25S-1	Hand wheel dia. 140	0,800	65			1	1365-033
25S-2	Hand wheel dia. 180	1,000	100	1	1	2	1365-035
25S-4	Hand wheel dia. 230	1,800	150	1	1	1	2435-011
25T-1	Hexagon head screw M8 x 16	0,010	65-100	1	1	3	1424-166
25T-4	Hexagon head screw M8 x 18	0,010	150	1	1	1	1424-164
25U-1	Washer for hand wheel dia. 28/9,5	0,010		2	2	4	1436-026
25V-4	Spring washer dia. 10	0,002	150			1	1437-033
25Y-1	O-ring dia. 21,8 x 3,5	0,002	65-100	2	2	6	1331-020
25Y-4	O-ring dia. 25,57 x 3,53	0,002	150	2	2	2	1331-023
25AA-1	Gaske against frame	0,020	65			1	2354-106
25AA-3	Gaske against frame	0,020	100	1	1	1	2354-106
25AA-4	Gaske against frame	0,038	150	1	1	1	2354-120
25AB-1	Hexagon head screw M16 x 45	0,095	65			4	1424-102
25AB-3	Hexagon head screw M16 x 45	0,095	100	4	4	4	1424-102
25AB-4	Hexagon head screw M20 x 65	0,125	150	6	6	6	1424-290
25AC-4	Washer	0,014	150	6	6	6	1436-039
25AD-3	Welding nipple	1,130	100	1	1	1	2322-118
25AD-4	Welding nipple	5,420	150	1	1	1	2322-111
25AE-3	Gasket for welding nipple	0,025	100	1	1	1	2356-104
25AE-4	Gasket for welding nipple	0,040	150	1	1	1	2356-115
25AF-3	Counter flange	2,800	100	1	1	1	2344-005
25AF-4	Counter flange	4,880	150	1	1	1	2344-007
25AG-3	Hexagon head screw M16 x 55	0,050	100	4	4	4	1424-104
25AG-4	Hexagon head screw M20 x 65	0,125	150	6	6	6	1424-290

Pos.	Designation	Weight each in kg	Number each compressor			Part no.
			SMC 186	SMC 188	TSMC 188	
	Pressure gauges and parts Suction and oil pressure gauge					
30A-1	R717	1,640	1	1	1	1541-108
30A-2	R12, R22 and R502	1,640	1	1	1	1541-232
30A-3	R22, R134a, and R404A	1,620	1	1	1	1541-074
30B-1	Nozzle and gasket dia. 14/08 x 1,5	0,001	1	1	1	3146-013
30C-1	Gasket dia. 11/4 x 1,5	0,001	1	1	1	2356-119
30D-1	Cylinder head screw M4 x 20	0,001	3	3	3	1412-350
	Discharge pressure gauge SMC					
31A-3	R717	1,380	1	1		1541-029
31A-4	R12, R22 and R502	1,400	1	1		1541-160
31A-5	R22, R134a, and R404A	1,400	1	1		1541-075
31A-1	Nozzle and gasket dia. 14/0,8 x 1,5	0,001	1	1		3146-013
31C-1	Cylinder head screw M4 x 20	0,001	3	3		1412-350
	Discharge pressure gauge TSMC					
31A-3	R717	1,600			1	1541-101
31A-4	R12, R22 and R502	1,660			1	1541-161
31A-5	R22, R134a, and R404A	1,660			1	1541-076
31A-1	Nozzle and gasket dia. 14/0,8 x 1,5	0,001			2	3146-013
31C-1	Cylinder head screw M4 x 20	0,001			3	1412-350
	Oil filter					
33-1	Oil filter complete		1	1	1	4524-037
33A-1	Filter element		1	1	1	1517-119
33B-1	Gasket		2	2	2	2356-104
33C-1	End cover		1	1	1	3422-148
33D-1	Rod for filter		1	1	1	2112-142
33E-1	Shield for oil filter		1	1	1	2158-207
33F-1	Bracket with connection		1	1	1	2331-049
33G-1	Distance piece		1	1	1	2212-136
33H-1	Rubber gasket		1	1	1	1334-012
33J-1	Magnet		3	3	3	1517-022
33K-1	Iron ring		1	1	1	2114-038
33L-1	Washer dia. 17		1	1	1	1436-034
33M-1	Washer dia. 24		1	1	1	1436-036
33N-1	Nut M8		1	1	1	1433-073
33O-1	Nut M12		1	1	1	1433-075
33P-1	O-ring		1	1	1	1331-009
33Q-1	O-ring		1	1	1	1331-008

Pos.	Designation	Weight each in kg	Number each compressor			Part no.
			SMC 186	SMC 188	TSMC 188	
	Suction filter					
34-1	Suction filter oben with filter bag	1,052	2	2	1	3425-100
34-2	Suction filter closed with filter bag	2,070			1	3425-102
24B-1	Filter bag	0,094	2	2	2	3425-098
34C-1	Insert for filter bag	0,058	2	2	2	3424-062
34D-1	O-ring for filter dia. 132,7 x 5,3	0,020	2	2	3	1331-170
34E-1	Cover	8,210	2	2	1	3422-123
34F-1	O-ring for cover	0,006	2	2	1	1331-099
34G-1	Hexagon head screw M16 x 55	0,050	8	8	4	1424-104
34H-1	Spring washer dia. 16	0,004	8	8	4	1437-027
	Discharge pipe for oil pump					
38A-1	Discharge pipe for oil pump	1,395	1	1	1	3141-134
38B-1	Connection for discharge pipe	0,335	1	1	1	2333-050
38C-1	O-ring dia. 28,15 x 3,5	0,002	1	1	1	1331-024
38D-1	O-ring dia. 43,8 x 5,33	0,006	1	1	1	1331-033
	Gauge panel					
39A-1	Gauge panel	0,070	1	1	1	3146-042
39B-1	Socket cap screw M10 x 60	0,050	2	2	2	1413-382
39C-1	Liner plate for gauge panel	0,004	2	1	1	2212-063
	Cooling water connection					
40-1	Set of hoses and connections SMC 186	4,550	1			3185-058
40-2	Set of hoses and connection T/SMC	4,700		1	1	3185-059
40A-1	Hose nipple dia. 19 x 3/4"	0,015	14	16	16	2334-026
40B-1	Angle - 3/4" BSP	0,136	8	10	10	1341-092
40C-1	T-piece 1" x 3/4" x 3/4" BSP	0,206	1	1	1	1352-030
40D-1	Reducing socket 1" x 3/4" BSP	0,124	1	1	1	1352-030
40E-1	Cable binder	0,002	3	3	3	1554-062
40F-1	Hose clamp S 28/15	0,024	14	16	16	1345-183
40G-1	T-piece 3/4" x 3/4" x 3/4"	0,176	1	1	1	1341-143
40H-1	Nipple 3/4" x 40	0,052	1	1	1	1345-040

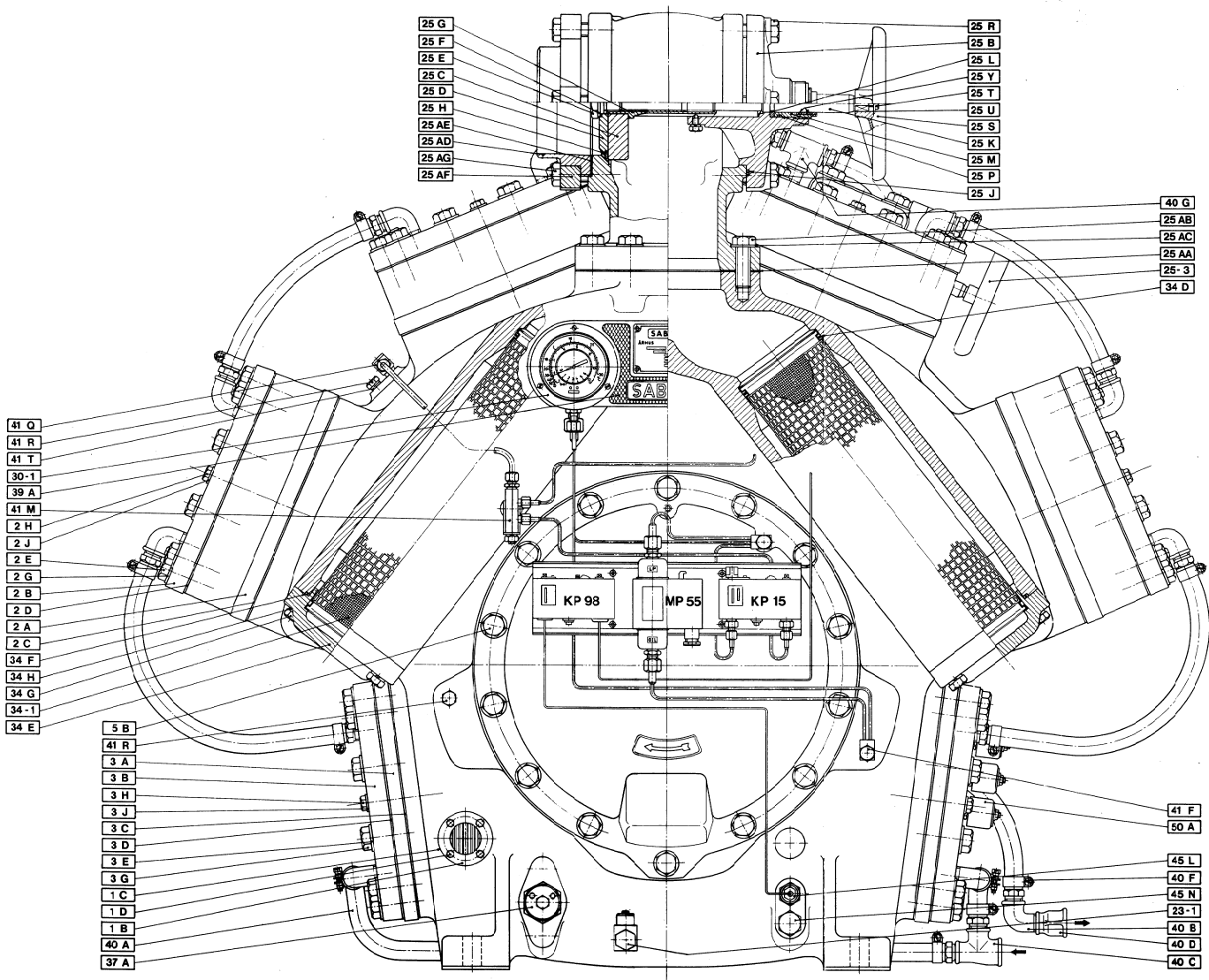
Pos.	Designation	Weight each in kg	Number each compressor			Part no.
			SMC 186	SMC 188	TSMC 188	
	Pipe connection for gauges pressure controls and oil filter (by-pass)					
41A-1	Threaded nipple 3/4" x 1/1" BSP		1	1	1	2314-064
41B-1	Gasket dia. 34/27 x 1,5 against frame	0,001	1	1	1	2356-140
41C-1	Plug for banjo	0,031	1	1	1	2314-058
41D-1	Gasket for banjo dia. 19/14 x 1,5	0,001	2	2	2	2356-124
41E-1	Straight screw-in joint 1/4" BSP for OD 8	0,044	1	1	1	1349-050
41F-1	Threaded nipple 1/2" x 1/4" BSP	0,110	1	1	1	2314-056
41G-1	Gasket against frame dia. 27 x 21	0,001	1	1	1	2356-133
41H-1	Plug for double banjo	0,036	1	1	1	2314-059
41J-1	Gasket for banjo	0,001	3	3	3	2356-124
41K-1	Plug for banjo	0,040	1	1	1	2314-048
41L-1	Gasket for banjo	0,001	2	2	2	2356-124
41M-1	Distributor with 2 sockets		1	1	2	2333-043
41N-1	Straight screw-in joint 1/4" BSP for OD 8	0,042	1	1	2	1349-050
41P-1	Gasket for union dia. 9/3 x 1	0,001	4	4	7	2356-117
41Q-1	Angle swivel screw-joint 1/4" BSP for OD 8	0,100	1	1	2	1349-087
41R-1	Threaded plug 1/4" BSP	0,350	5	6	6	2314-022
41T-1	Gasket for plug dia. 19/14 x 1,5	0,001	5	6	6	2356-124
	Purge valve					
42A-1	Purge valve, complete	0,300	1	1	1	2412-585
42B-1	Threaded nipple	0,135	1	1	1	1349-062
42C-1	Cutting ring					
42D-1	Nut					
42E-1	Nut	0,070	1	1	1	2313-045
42F-1	Connection pipe with collar	0,025	1	1	1	2334-027
42G-1	Gasket	0,001	2	2	2	2356-123
42H-1	Nut	0,060	1	1	1	2313-027
	Pressure controls for R717					
45A-1	KP 5A	0,300			1	1373-125
45B-1	KP 15A	0,760	1	1	1	1373-142
45C-1	MP 55A	0,900	1	1	1	1373-162
	Pressure controls for HCFC					
45D-1	KP 5	0,300			1	1373-123
45E-1	KP 15	0,540	1	1	1	1373-135
45F-1	MP 55	0,800	1	1	1	1373-159

Pos.	Designation	Weight each in kg	Number each compressor			Part no.
			SMC 186	SMC 188	TSMC 188	
	Temperature controls					
45G-1	KP 98	0,720	1	1	1	1373-043
45H-1	KP 77	0,350	1	1	1	1373-044
45L-1	Phial pocket for temperature controls	0,770	2	2	2	1377-171
45M-1	Gasket for phial pocket dia. 27/21 x 1,5	0,001	2	2	2	2356-133
45N-1	Threaded plug 1/2" BSP	0,065	1	1	1	2314-026
45P-1	Gasket for plug dia. 27/21 x 1,5	0,001	1	1	1	2356-133
	Coupling type 450S					
48A-1	Coupling fine (2 sets)	2,792	1	1	1	1524-161
48B-1	Coupling bolts	0,236	16	16	16	1524-169
48C-1	Lock nuts	0,056	16	16	16	1524-177
48D-1	Washer	0,042	16	16	16	1524-185
48E-1	Washer		4	4	4	1524-189
	Capacity regulation					
50A-1	Valve body with 1 solenoid valve without coil		1			3143-384
50A-2	Valve body with 2 solenoid valves without coils			1	1	3143-385
50B-1	Coil 220/230, 50/60 Hz, 10W	0,260				1372-537
50B-2	Coil 110 50/60 Hz, 10W	0,260				1372-538
50B-3	Coil 240 50 Hz, 10W	0,260				1372-539
50C	Solenoid valve (service kit for 1 solenoid valve)					1372-424
	Crankcase heater - 3/4" BSP					
57A-1	Crankcase heater - 350 W, 110 V	0,620	1	1	1	3181-017
57A-2	Crankcase heater - 350 W, 220 V	0,620	1	1	1	3181-014
57B-1	Gasker dia. 34/27 x 1,5	0,002	1	1	1	2356-140
	Crankcase heater - 1 1/4" BSP					
57A-3	Crankcase heater - 460 W, 110 V		1	1	1	3181-039
57A-4	Crankcase heater - 460 W, 230 V		1	1	1	3181-040
57A-5	Crankcase heater - 460 W, 250 V		1	1	1	3181-038
57B-2	Gasker dia.42/49 x 6,5	0,022	1	1	1	1349-213
80	Solenoid valve blok, complete with 0,6 mm orifice for oil return. excl. coil	2.040	1	1	1 or 2	1372-179
	Strainer kit consist of:		1	1	1 or 2	1372-089
80E	Strainer					
80G	Al-gasket					
	Service kit consist of:		1	1	1 or 2	1372-086
80P	Armature tube					
80H	Armature					
80K	O-ring					

Pos.	Designation	Weight each in kg	Number each compressor			Part no.
			SMC 186	SMC 188	TSMC 188	
80M	O-ring					
80L	Al-gasket					
80N	Snap fastener					
	Seal kit consist of:		1	1	1 or 2	1372-091
80G	Al-gasket					
80K	O-ring					
80M	O-ring					
80L	Al-gasket					
80Q	Al-gasket					
	Orifice kit 0,6 mm consist of:		1	1	1 or 2	1371-034
80L	Al-gasket					
80Q	Al-gasket					
80I	Orifice 0,6 mm					
	Orifice kit 0,8 mm consist of:		1	1	1 or 2	1371-035
80L	Al-gasket					
80Q	Al-gasket					
80I	Orifice 0,8 mm					
	Orifice kit 1,0 mm consist of:		1	1	1 or 2	1371-036
80L	Al-gasket					
80Q	Al-gasket					
80I	Orifice 1,0 mm					
	Orifice kit 3,3 mm (for thermopump only) consist of:		1	1	1 or 2	1371-037
80L	Al-gasket					
80Q	Al-gasket					
80I	Orifice 3,3 mm					
80J-1	Coil 220/230V, 50/60 Hz, 10 W	0.285				1372-537
80J-2	Coil 110 V, 50/60 Hz, 10 W	0.285				1372-538
80J-3	Coil 240 V, 50 Hz, 10 W	0.285				1372-539
80J-4	Coil 24 V, 50 Hz, 10 W	0.285				1372-541

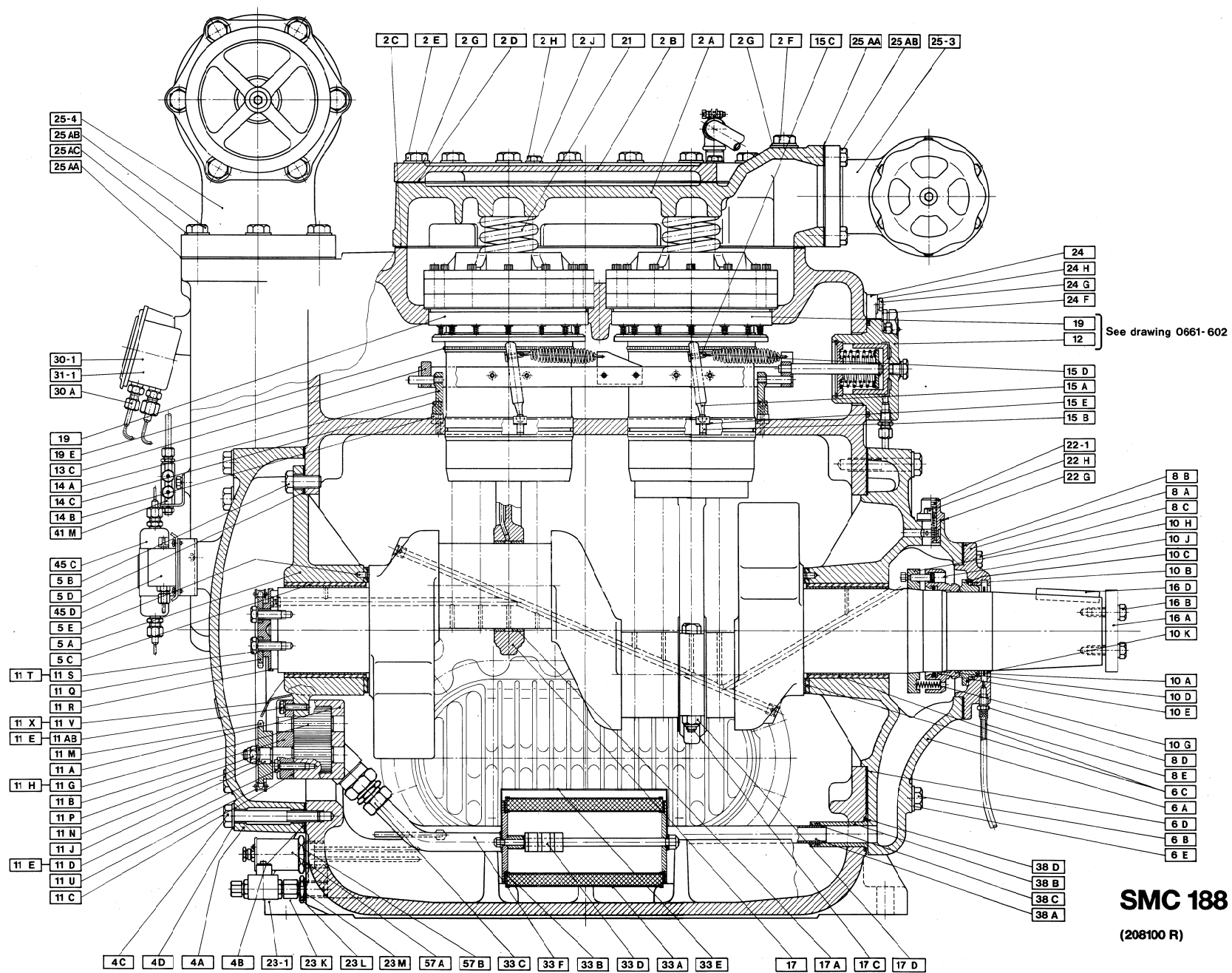
Pos.	Designation	Weight each in kg	Number each compressor			Part no.
			SMC 186	SMC 188	TSMC 188	
	Intermediate pressure connection					
90A-1	Welding flange	5,280			1	2322-087
90B-1	O-ring	0,006			1	1331-099
90C-1	Counter flange	5,620			1	2344-010
90D-1	Hexagon head screw M16 x 75	0,155			4	1424-108
90E-1	Spring washer dia. 16	0,004			4	1437-027
90F-1	Welding flange 160 x 160	3,885			2	2342-040
90G-1	Gasket	0,020			1	2354-106
90H-1	Hexagon head screw M16 x 65	0,100			4	1424-106
90J-1	Nut M16	0,030			4	1432-067

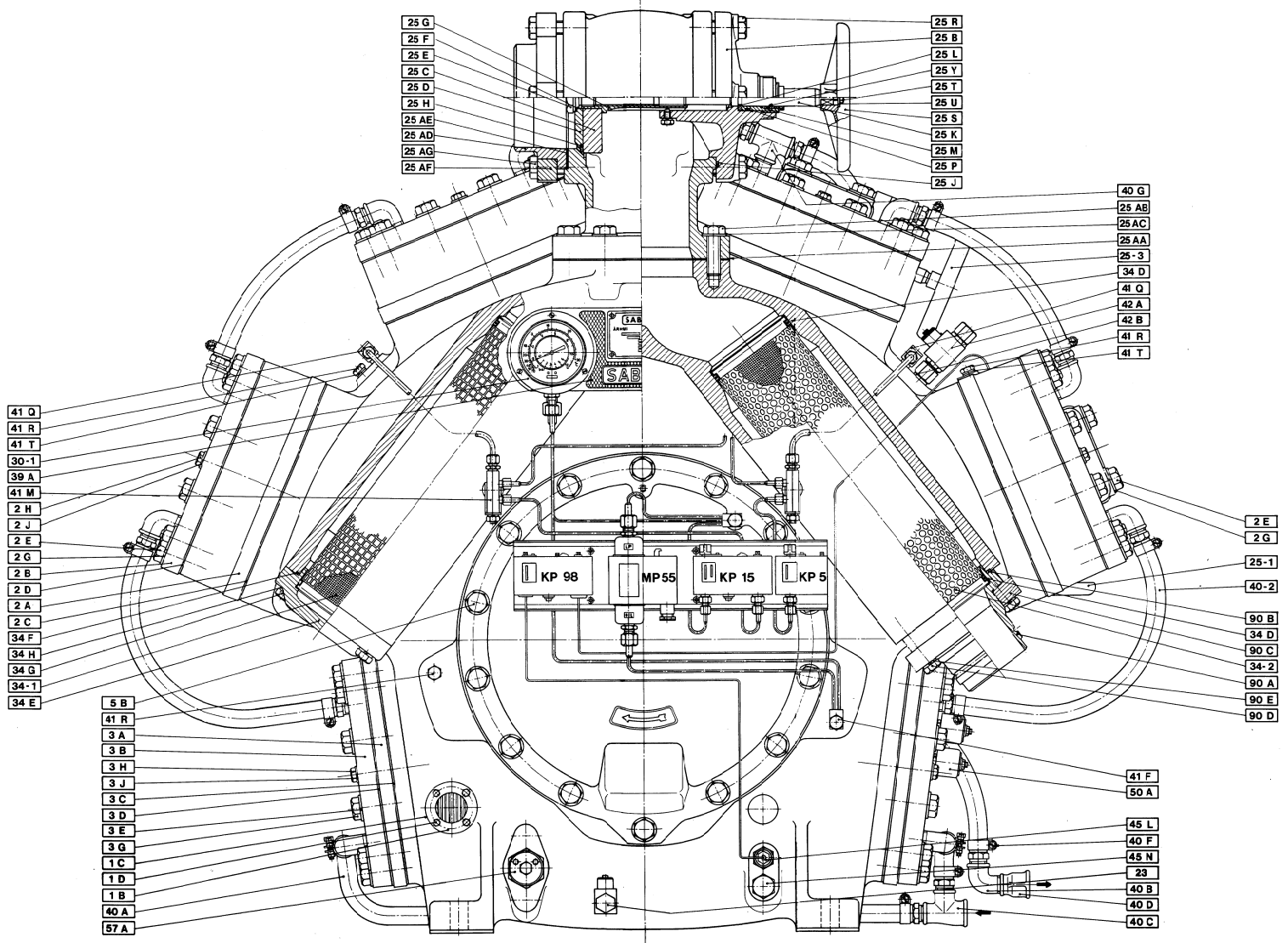
*) Approval from *Classification Society* specified by customer



SMC 188

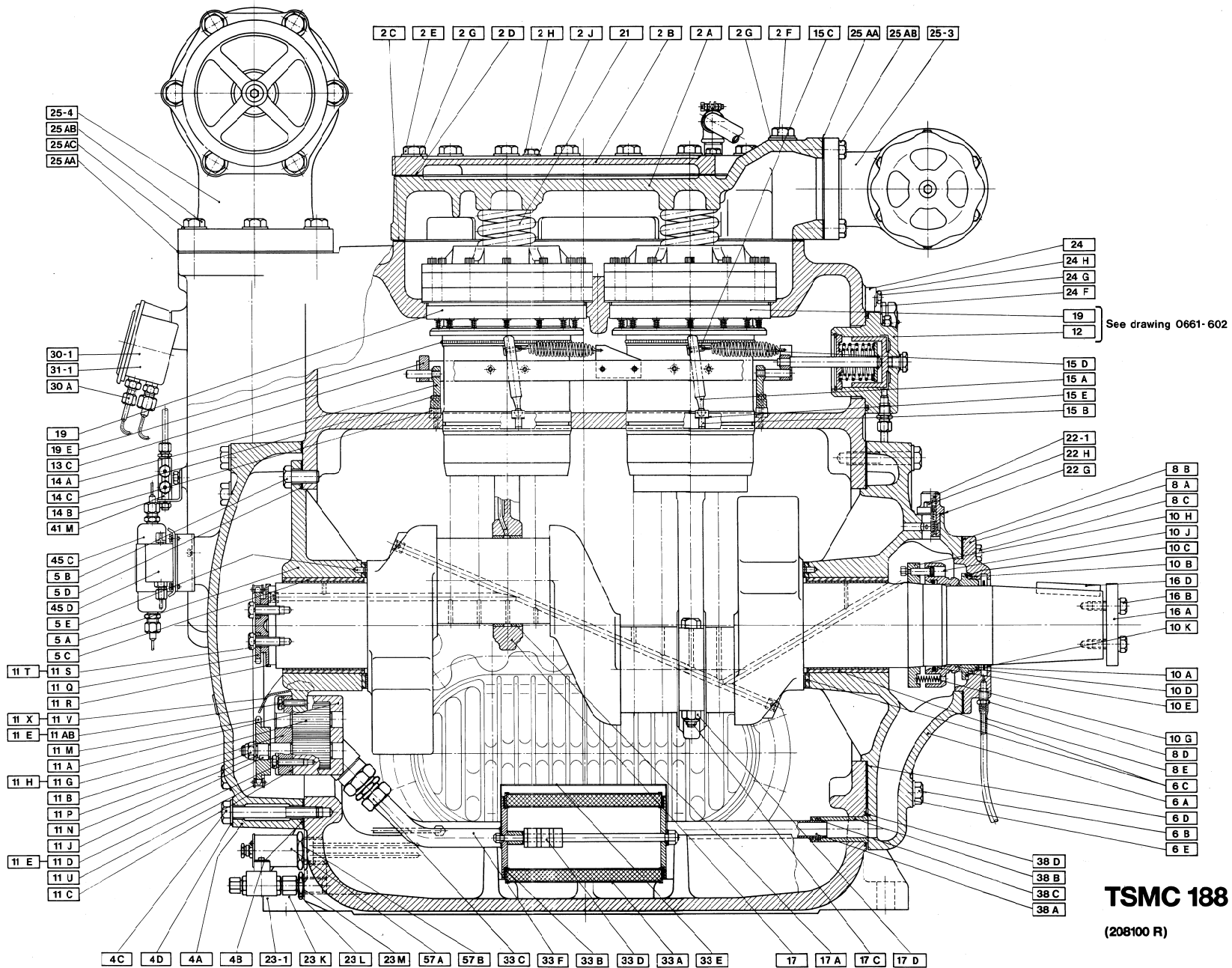
(208101 R)

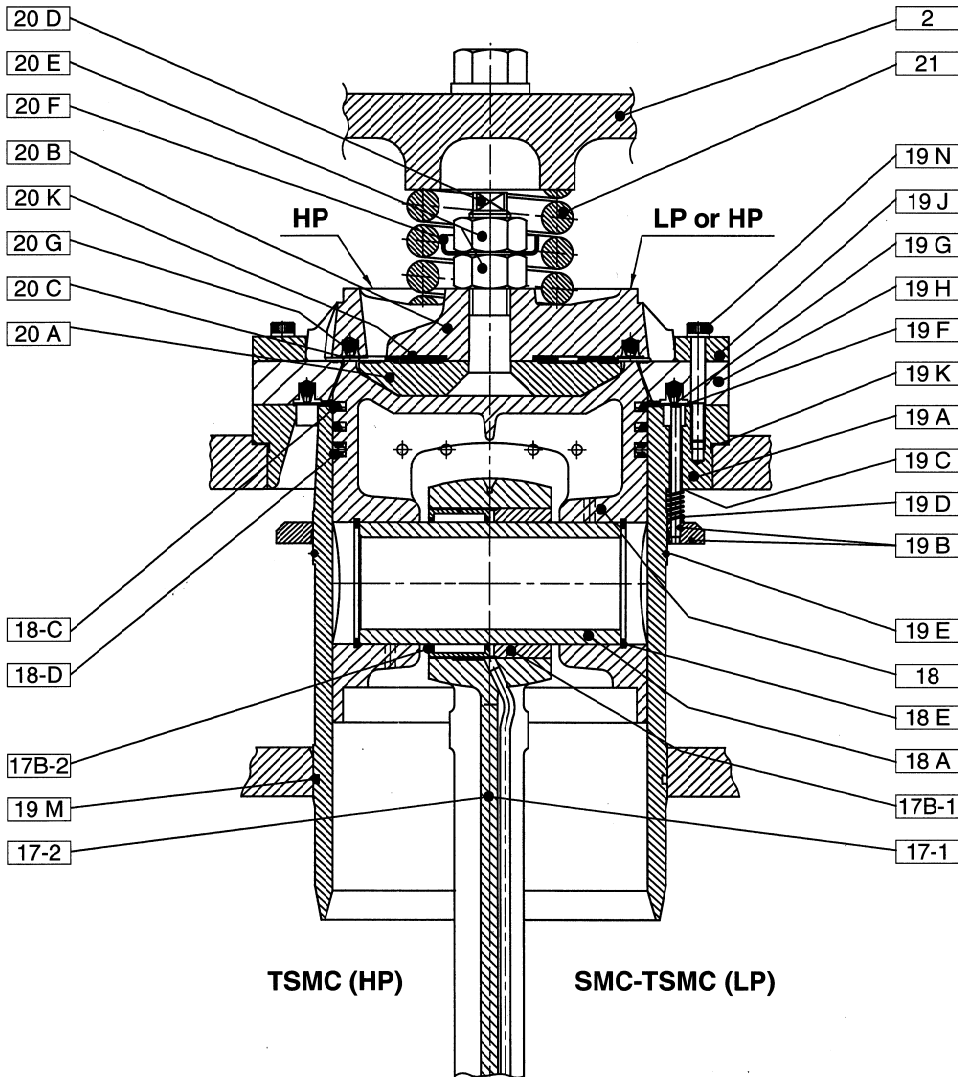




TSMC 188

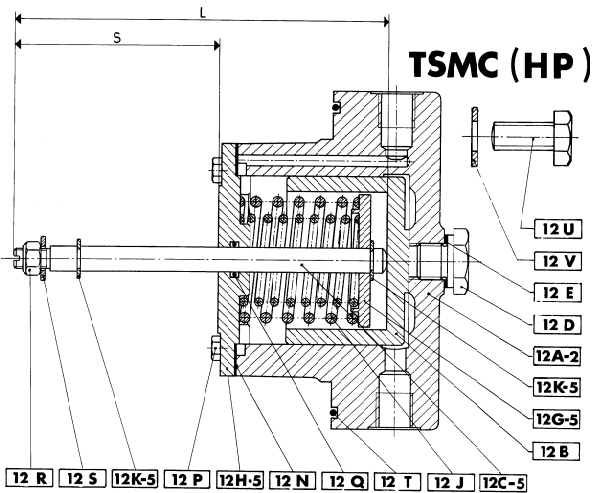
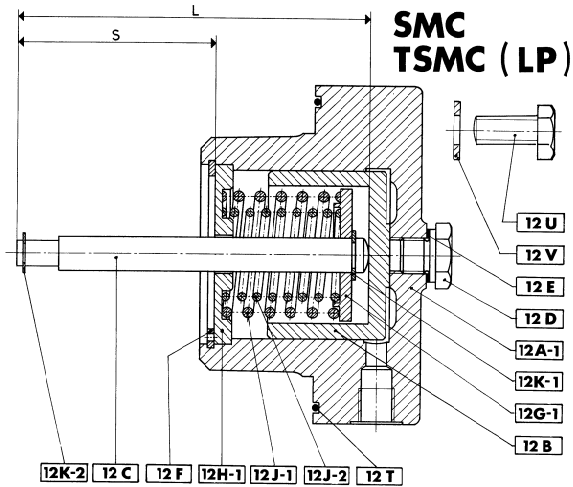
(208102 R)





CYLINDER LINER SMC - TSMC 188

List of parts 0661-610
(2081G3 Rev.1)



UNLOADING CYLINDERS

Spare parts set for compressor SMC 186-188 & TSMC 188

Line no.A501 = Normal set

Line no.A502 = Extended set

Line no.A503 = Certificate set

Line no.A504 = Special set

Pos. no.	Designation	Part no.	Number Spare parts set line no.			
			A501	A502	A503	A504
1B-1	Oil level glass - dia. 80	1226-015			1	
1C-1	O-ring neoprene - dia. 52.07 x 2.62	1331-140				2
2C-1	Gasket for top cover	2353-156	2	4	4	6
2E-1	Hexagon head screw M 20 x 130	1424-122			6	
2E-2	Hexagon head screw M 20 x 160	1424-125			6	
2F-1	Hexagon head screw M 20 x 190	1424-128			2	
3E-1	Hexagon head screw M 20 x 50	1424-287			2	
3E-2	Hexagon head screw M 20 x 80	1424-293			2	
3H-1	Hexagon head screw M 12 x 50	1424-219			2	
4B-1	Gasket for end cover of oil pump	2353-158	1	1	1	2
4C-1	Hexagon head screw M 20 x 140	1424-123			2	
5B-1	Hexagon head screw M 20 x 40	1424-285			2	
5C-1	Bearing bushing with collar	2132-023				1
6B-1	Hexagon head screw M 20 x 100	1424-119			2	
6C-1	Bearing bushing with collar	2132-023				1
8B-1	Gasket	2353-006	1	1	1	2
8C-1	Hexagon head screw M 14 x 40	1424-241			4	
10	Shaft seal complete	3126-138	1	1	1 ^{a)}	2
11L-1	Gasket - dia. 50/40 x 1.5	2356-056		2	2	2
12K-2	Benzing ring - dia. 12	1437-108		4	4	4
12T-1	O-ring neoprene - dia. 142.47 x 3.5	1331-096			4	4
13E-1	Counter sunk screw M 8 x 16	1413-100			2	
15D-1	Spring	2142-046		2	4	8
17	Connecting rod complete	3123-005			1	
17A-1	Half section of bearing	2133-005			4	16
17B-1	Bushing for piston pin	2132-006				4
18 -1	Piston with pin and rings	3124-053		1	1	1
18A-1	Piston pin	3125-119				2
18C-1	Piston ring TOP mark	3125-128	4	4	4	12
18D-1	Oil scraper ring	3125-077	2	2	2	6

Pos. no.	Designation	Part no.	Number Spare parts set line no.			
			A501	A502	A503	A504
19	Cylinder liner with suction valve	*)		1	1	2
19F-1	Ring plate for suction valve	3131-064	4	8	8	8
19G-1	Valve springs	2141-050	30	60	60	90
19K-1	Gasket for cylinder liner dia. 270/255 x 0.8	2356-249	2	4	8	8
19K-2	Gasket for cylinder liner dia. 270/255 x 0.5	2356-116	2	4	4	8
19N-1	Socket cap screw M 8 x 60	1413-364			6	
20	Discharge valve complete	*)		1	1	1
20C-1	Ring plates for discharge valve	3131-065	4	8	8	8
22G-1	Gasket 90 x 44 x 1	2354-075		1	1	2
22H-1	Hexagon head screw M 12 x 35	1424-216			2	
24G-1	Hexagon head screw M 10 x 30	1424-192			2	
24A-1	Spring for safety valve	*)			2	1
25H-2	Sealing ring teflon	2354-117		1	1	2
25H-4	Sealing ring teflon	2354-007		1	1	2
25J-2	Gasket for bonnet O-ring dia. 116.8 x 7	1331-198		1	1	2
25J-4	Gasket for bonnet O-ring dia. 202.5 x 3.5	1331-107		1	1	2
25K-2	Valve spindle	2442-028			1	
25K-4	Valve spindle	2442-006			1	
25P-1	O-ring dia. 28.1 x 3.5	1331-024		1	2	2
25P-4	O-ring dia. 31.5 x 3.5	1331-026		1	2	2
25R-2	Hexagon head screw M 12 x 30	1424-215			2	
25R-4	Hexagon head screw M 20 x 65	1424-290			2	
25Y-1	O-ring dia. 21.8 x 3.5	1331-020		2	2	4
25Y-4	O-ring dia. 26.58 x 3.5	1331-023		2	2	2
25AA-1	Gasket towards frame	2354-106	1	2	2	2
25AA-4	Gasket towards frame	2354-120	1	1	1	1
25AB-1	Hexagon head screw M 16 x 45	1424-102			2	
25AB-4	Hexagon head screw M 20 x 65	1424-290			2	
30	Suction and oil pressure gauge	*)			1	1
31	Discharge pressure gauge	*)			1	1
33A-1	Filter element	1517-119	1	1	2	1
33B-1	Gasket	2356-104	2	2	4	2
34B-1	Filter bag	3425-098		2	4	2
34D-1	O-ring - dia. 132.7 x 5.3	1331-170	2	2	2	2
34F-1	O-ring - dia. 152.0 x 3.5	1331-099	2	2	2	2
38D-1	O-ring - dia. 43.8 x 5.5	1331-033		1	2	2
50B	Coil for solenoid valve	*)			1	1

Pos. no.	Designation	Part no.	Number Spare parts set line no.			
			A501	A502	A503	A504
	Extra for TSMC 188 compressors:					
12K-1	Benzing ring - dia. 9	1437-105		1	1	4
17 -2	Connecting rod complete (TSMC HP)	3123-007			1	
17B-2	Piston pin with needle roller bearing	1511-250			1	1
18 -2	Piston with rings (TSMC HP)	3124-054		1	1	1
18F-1	Screw 3/8" UNF for piston	2111-039		1	1	1
19M-1	O-ring neoprene	1331-105	2	2	4	4
20	Discharge valve complete	*)		1	1	1
25H-1	Sealing ring teflon	2354-115		1	1	2
25J-1	O-ring dia. 94.6 x 5.3	1331-161			1	1
25K-1	Valve spindle	2442-030			1	
25R-1	Hexagon head screw M 10 x 25	1424-191			2	
34D-1	O-ring	1331-170	1	1	1	1
	Extra for watercooled compressors:					
2D-1	Gasket for water covers	2353-157	2	4	4	6
	Extra for beltdriven compressors:					
	V-belts 1 set = 8 belts	*)			1	1
	Extra for direct coupled compressors:					
	2 sets of fins and bolts with nut and plates	1524-154			1 set	1 set

a): One piece each compressor

*) : The part no. depends on the compressor

Complete set of gaskets for compressor SMC 186 - 188 & TSMC 188

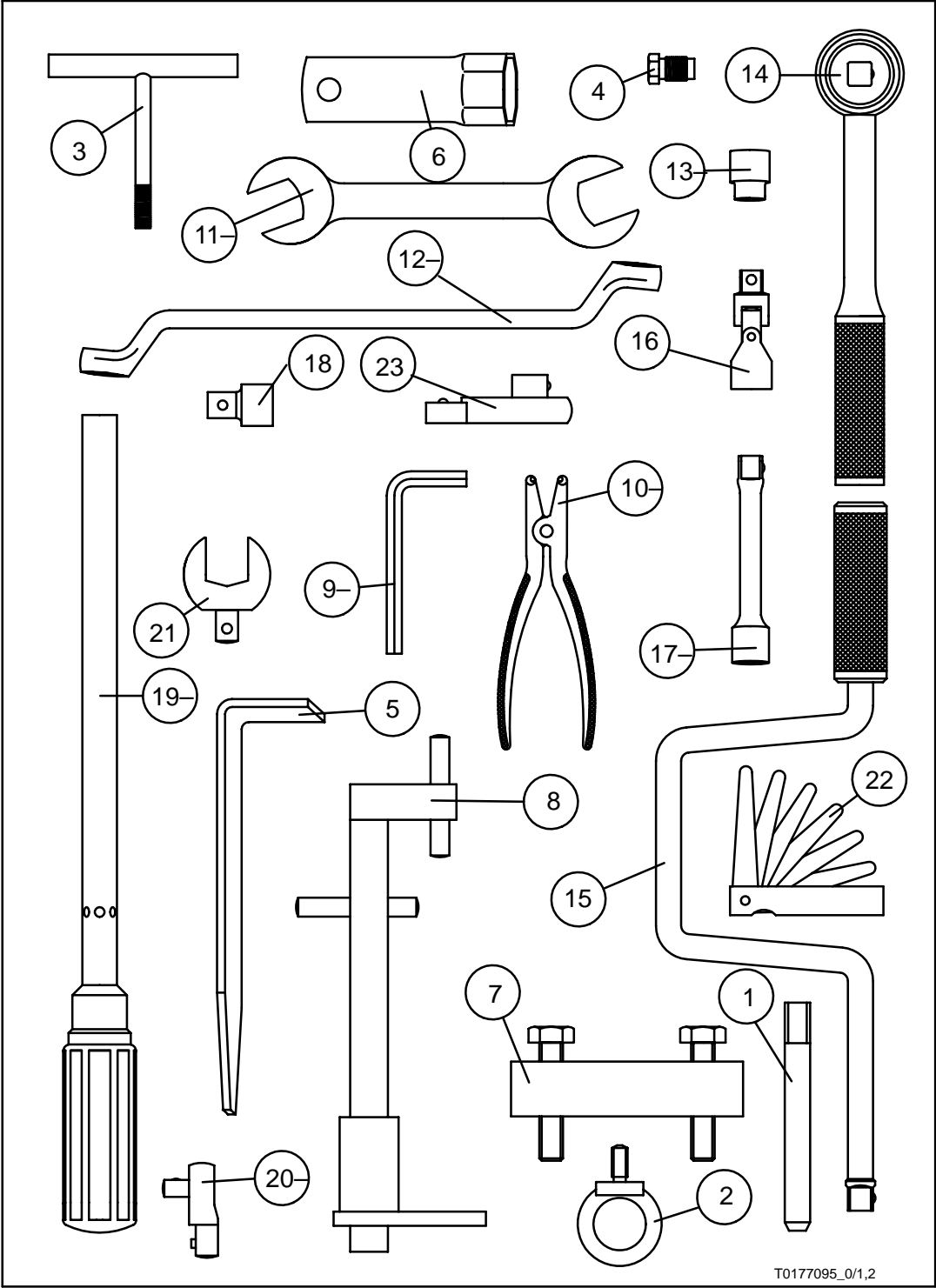
Relevant drawings SMC: 0661-606 - 0661-602

Relevant drawings TSMC: 0661-607 - 0661-602

Pos.	Designation	Number each compressor			Part no.
		SMC 186	SMC 188	TSMC 188	
1C-1	O-ring $\varnothing 52.07 \times 2.62$	1	1	1	1331-140
2C-1	gasket for top cover	3	4	4	2353-156
2D-1	gasket for water cover	3	4	4	2353-157
3C-1	gasket for side cover	2	2	2	2353-156
3D-1	gasket for water cover	2	2	2	2353-157
4B-1	gasket for end cover	1	1	1	2353-158
5D-1	gasket for bearing cover 0.25 mm	1	1	1	2353-016
5D-2	gasket for bearing cover 0.50 mm	1	1	1	2353-017
5D-3	gasket for bearing cover 0.75 mm	1	1	1	2353-018
6D-1	gasket for end cover	1	1	1	2353-161
6M-1	gasket $\varnothing 18/10 \times 1.5$	1	1	1	2356-123
8B-1	gasket for shaft seal cover	1	1	1	2353-006
10B-1	sealing ring Variseal M $\varnothing 146.1$	1	1	1	1331-522
10C-1	O-ring $\varnothing 151.99 \times 3.53$	1	1	1	1331-099
10E-1	O-ring $\varnothing 129.54 \times 7.0$	1	1	1	2353-177
11C-1	gasket for pump cover 0.2 mm	1	1	1	2353-022
11L-1	gasket for nipple $\varnothing 50/40 \times 1.5$	2	2	2	2356-056
12E-1	gasket $\varnothing 25/17 \times 1.5$	3	4	3	2356-130
12T-1	O-ring $\varnothing 142.47 \times 3.53$	3	4	3	1331-096
12N-1	gasket for cover $\varnothing 110/80 \times 1$			1	2353-026
12Q-1	O-ring $\varnothing 12.37 \times 2.62$			1	1331-013
19K-1	gasket for cylinder liner 0.5 mm	6	8	8	2356-116
19K-2	gasket for cylinder liner 0.8 mm	6	8	8	2356-249
19M-1	O-ring $\varnothing 190.09 \times 3.53$			2	1331-105
22G-1	gasket $90 \times 44 \times 1$	1	1	1	2354-075
23D-1	gasket $\varnothing 18/10 \times 1.5$	1	1	1	2356-123
23E-1	gasket against compressor $\varnothing 34/27 \times 1.5$	1	1	1	2356-283
23F-1	gasket $\varnothing 19/14 \times 4$	1	1	1	2356-140
24C-1	O-ring $\varnothing 72.6 \times 3.53$	1	1	1	1331-074
24C-5	O-ring $\varnothing 50.39 \times 3.53$			1	1331-067
24E-1	O-ring $\varnothing 85.32 \times 3.53$	1	1	1	1331-078
23E-5	O-ring $\varnothing 63.09 \times 3.53$			1	1331-071
25F-1	gasket for screw $\varnothing 36/28 \times 1.5$	1	1	3	2356-141
25F-4	gasket for screw $\varnothing 40.5/33 \times 1.5$	1	1	1	2356-144

Pos.	Designation	Number each compressor			Part no.
		SMC 186	SMC 188	TSMC 188	
25H-1	sealing ring ø85/66 x 3 for cone			1	2354-115
25H-2	sealing ring ø110/91 x 3 for cone	1	1	2	2354-117
25H-4	sealing ring ø167/146 x 3 for cone	1	1	1	2354-007
25J-1	O-ring ø94.62 x 5.33			1	1331-161
25J-2	O-ring ø116.84 x 7.0	1	1	2	1331-198
25J-4	O-ring ø202.79 x 3.53	1	1	1	1331-107
25P-1	O-ring ø28.17 x 3.53	1	1	3	1331-024
25P-4	O-ring ø31.34 x 3.53	1	1	1	1331-026
25Q-1	nylon washer ø34/22 x 1.5	1	1	3	2354-017
25Q-4	nylon washer ø39.5/28 x 1.5	1	1	1	2354-018
25Y-1	O-ring ø21.82 x 3.53	2	2	6	1331-020
25Y-4	O-ring ø26.57 x 3.53	2	2	2	1331-023
25AA-1	gasket against frame 160 x 160 x 1			2	2354-106
25AA-3	gasket against frame 160 x 160 x 1	1	1	1	2354-106
25AA-4	gasket against frame	1	1	1	2354-120
25AE-3	gasket for welding nipple ø130/95 x 2	1	1	1	2356-104
25AE-4	gasket for welding nipple ø219/200 x 1	1	1	1	2356-115
30B-1	gasket ø11/4 x 1.5	1	1	1	2356-119
33B-1	gasket for oil filter ø130/95 x 2	2	2	2	2356-104
33H-1	gasket ø20/12.5 x 2	1	1	1	1334-012
33P-1	O-ring ø7.65 x 1.78	1	1	1	1331-009
33Q-1	O-ring ø10.82 x 1.78	1	1	1	1331-008
34D-1	O-ring ø132.72 x 5.33	2	2	2	1331-170
34F-1	O-ring ø151.99 x 3.53	2	2	1	1331-099
38C-1	O-ring ø28.15 x 3.53	1	1	1	1331-024
38D-1	O-ring ø43.82 x 5.33	1	1	1	1331-033
41B-1	gasket ø34/27 x 1.5	1	1	1	2356-140
41D-1	gasket for banjo ø19/14 x 1.5	2	2	2	2356-124
41G-1	gasket ø27/21 x 1.5	1	1	1	2356-133
41J-1	gasket for banjo ø19/14 x 1.5	3	3	3	2356-124
41L-1	gasket for banjo ø19/14 x 1.5	2	2	2	2356-124
41P-1	gasket for union ø9/3 x 1	4	4	7	2356-117
41T-1	gasket for plug ø19/14 x 1.5	5	6	6	2356-124
42G-1	gasket for purge valve ø18/10 x 1.5	2	2	2	2356-123
45M-1	gasket for phial pocket ø27/21 x 1.5	2	2	2	2356-133
45P-1	gasket for plug ø27/21 x 1.5	1	1	1	2356-133
57B-1	gasket for crankcase heater ø34/27 x 1.5	1	1	1	2356-140
57B-2	gasket ø49.5/42 x 1.5	1	1	1	2356-148
90B-1	O-ring ø151.99 x 3.53			1	2331-099
90G-1	gasket for flange 160 x 160 x 1			1	2354-106

Tools for compressor SMC 186 - 188 & TSMC 188



T0177095_0/1,2

Line no. 32 = Normal toolset
 Line no. 33 = Extended toolset
 Line no. 34 = Tools for coupling

Pos. No.	Designation	Dimension	Part No.	32	33	34
1	Dowel for covers		3183-039	2	2	
2	Eye bolt for covers	M12	1427-150	2	2	
3	Tommy screws for cylinder liner		3183-042	2	2	
4	Threaded plug for unloding cylinder	$\frac{3}{8}$ "BSP	2314-018	2	2	
5	Supporting plate for pistons		3183-043	8	8	
6	Spanner for heating cartridge	JV 55	3183-060	1	1	
7	Puller for coupling or belt pulley		3183-059	1	1	
8	Adjusting jig for coupling		3183-106			
9-1	Wrench for socket cap screw	JV4			1	
9-2	Wrench for socket cap screw	JV5			1	
9-3	Wrench for socket cap screw	JV6			1	
9-4	Wrench for socket cap screw	JV8			1	
10-1	Retaining-ring plier	J 21/B			1	
10-2	Retaining-ring plier	A 11/B			1	
11-1	Open end spanner	JV 10 x 13			1	
11-2	Open end spanner	JV 17 x 19			1	
11-3	Open end spanner	JV 22 x 24			1	
11-4	Open end spanner	JV 27 x 30			1	
11-5	Open end spanner	JV 32 x 36			1	
11-6	Open end spanner	JV 41			1	
12-1	Ring spanner	JV 10 x 13			1	
12-2	Ring spanner	JV 17 x 19			1	
12-3	Ring spanner	JV 22 x 24			1	
12-4	Ring spanner	JV 27 x 30			1	
12-5	Ring spanner	JV 32 x 36			1	

Pos. No.	Designation	Dimension	Part No.	32	33	34
13-1	Socket wrench	JV 6			1	
13-2	Socket wrench	JV 10			1	
13-3	Socket wrench	JV 13			1	
13-4	Socket wrench	JV 17			1	
13-5	Socket wrench	JV 19			1	
13-6	Socket wrench	JV 22			1	
13-7	Socket wrench	JV 24			1	
13-8	Socket wrench	JV 27			1	
13-9	Socket wrench	JV 30			1	1
13-10	Socket wrench	JV 1 1/8"			1	1
13-11	Socket wrench	JV 36			1	
14	Ratchet handle				1	
15	Speed handle				1	
16	Universal joint for socket wrench				1	
17-1	Extension rod for socket wrench				1	
17-2	Extension rod for socket wrench				1	
18	Converter 3/4" - 1/2"				1	
19-1	Torque wrench 15 - 90 Nm				1	
19-2	Torque wrench 60 - 360 Nm				1	1
20-1	Coupler for torque wrench 1/2" - 1/2"				1	
20-2	Coupler for torque wrench 1/2" - 3/8"				1	
21	Open spanner for torque wrench	JV 1 1/8"			1	1
22	Feeler gauge				1	
23	Ratcet for torque wrench				1	1